

Trípode

Santa & Cole Team. 1997
Floor lamp



Lampshades



Structure (American version)



Trípode is a family conceived to humanise spaces. The GT5 suspension lamp, from 1994, was the first of a large family that was born as an alternative to the use of cardboard, methacrylates or solid textile shades, bringing back forgotten artisanal techniques through its handmade cotton ribbons. When turned on, they provide a characteristic warm light, rich in nuances. With the light off, this lamp is a sculptural statement piece that enhances the room.

As the Trípode family has grown to meet different needs, so have its taping options. In 2013, together with the Raw Color studio in Eindhoven (Holland), new colours were developed based on three yarns: tile, mustard yellow and forest green, which were added to the basic colours in force since 1994: raw white, amber red and black. In 2022, for its 25th anniversary, we presented two new options designed by textile expert Júlia Esqué. The collaboration consists of an intervention resulted in the Diplomática striped ribbon and the Bretona striped ribbon, two typologies that bring rhythm and personality.

A totem of contemporary design.

General description:

Black metal structure.

Natural, red-amber, black, Diplomática striped or Bretona striped ribbon lampshade, or tile, mustard or green Raw Color ribbon.

Electric cable length: 2,5 m / 97.5"

Approximate weight (unpacked):

4 kg / 8.8 lb

Technical information:

European version: Light source included (dimmable)

American version: Recommended dimmable light source (not included)

LED bulb: 11 W / 1.521 lm / 2700K

E27 - E26 / Max. hgt. 160 mm / 6.3"

Dimmer included (dimmable light source required).

Suitable only for indoor use.

Always use the light source recommended or equivalent.

Input voltage: 100, 120, 230 Vac.

(50 Hz / 60 Hz). According to destination.

Tripode

Santa & Cole Team. 1997
Floor lamp

Regulations:

European version
UNE-EN 60598
UNE-EN 55015
UNE-EN 60529

American version
Dry location only
UL-153
E-352592

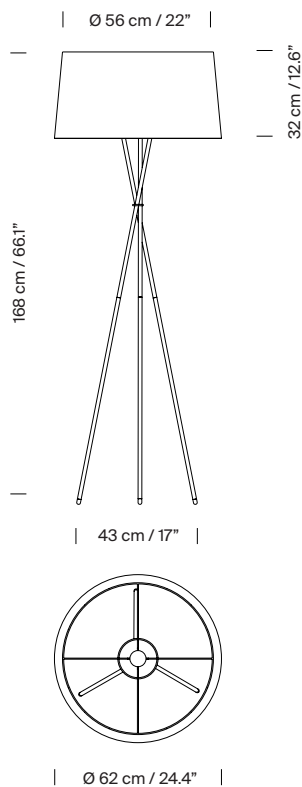
Maintenance:

Clean with a smooth cloth. Do not use ammonia, solvents or abrasive cleaning products.

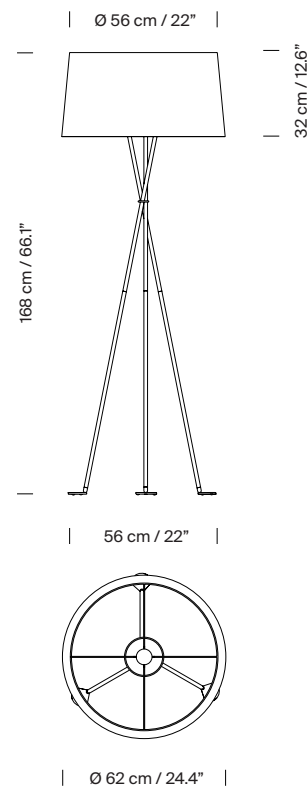
Others:

The lamp is delivered in different packages.
The assembly instructions are delivered with the product.

Model (European version):



Model (American version):



Collection:

Table lamps

Floor lamps

Pendant lamps

Wall lamps



Tripode G6 / M3



Tripode G5



GT5 / GT6



GT7



GT1000 / GT1500



Comodin